

Pennsylvania 5355Z Frame and 5355M8 Grate

OPA535500100

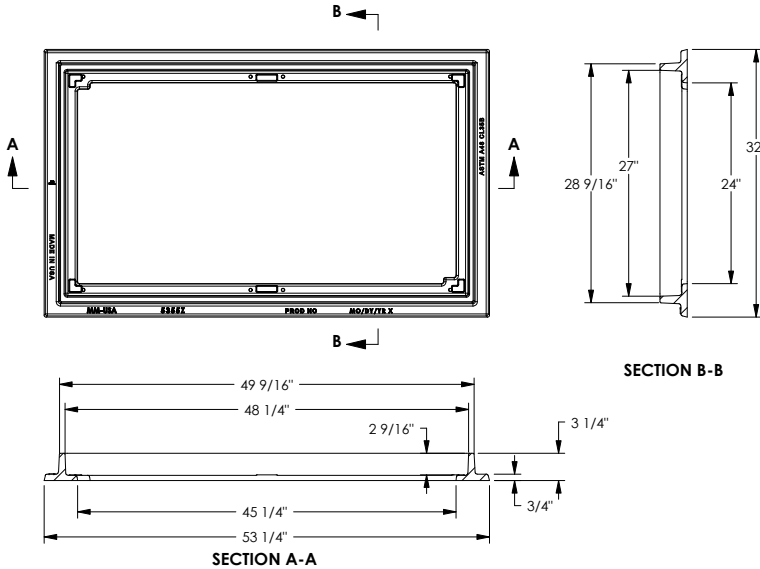


5355Z Frame



00535511

Quantity: 1



Product Number

00535511

Design Features

- Materials
- Gray Iron (CL35B)
- Design Load
- Heavy Duty
- Open Area
- Coating
- Undipped
- √ Designates Machined Surface

Certification

- ASTM A48
-
- Country of Origin: USA

Drawing Revision

8/27/2012 Designer: DJH
08/10/2013 Revised By: DJH

Disclaimer

Weights (lbs/kg), dimensions (inches/mm) and drawings provided for your guidance. We reserve the right to modify specifications without prior notice.

CONFIDENTIAL: This drawing is the property of EJ Group, Inc. and embodies confidential information, registered marks, patents, trade secret information, and/or know how that is the property of EJ Group, Inc. Copyright © 2012 EJ Group, Inc. All rights reserved.

Contact

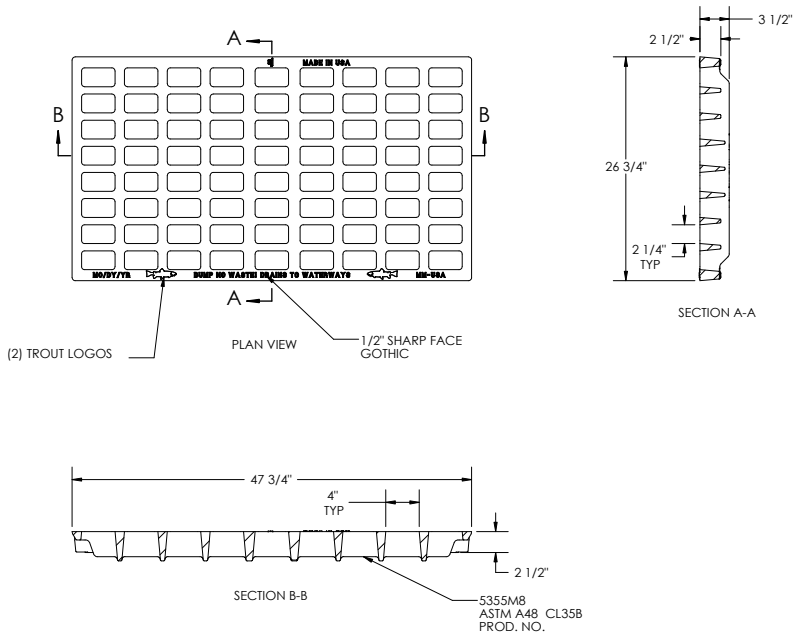
800 626 4653
ejco.com

5355M8 Grate



00535571

Quantity: 1



Product Number

00535571

Design Features

- Materials
- Gray Iron (CL35B)
- Design Load
- Heavy Duty
- Open Area
- 639 sq in
- Coating
- Undipped
- √ Designates Machined Surface

Certification

- ASTM A48
-
- Country of Origin: USA

Drawing Revision

8/23/2012 Designer: DJH
08/10/2013 Revised By: DJH

Disclaimer

Weights (lbs/kg), dimensions (inches/mm) and drawings provided for your guidance. We reserve the right to modify specifications without prior notice.

CONFIDENTIAL: This drawing is the property of EJ Group, Inc. and embodies confidential information, registered marks, patents, trade secret information, and/or know how that is the property of EJ Group, Inc. Copyright © 2012 EJ Group, Inc. All rights reserved.

Contact

800 626 4653
ejco.com

Disclaimer

Weight (lbs./kg), dimensions (inches/mm) and drawings provided for your guidance. We reserve the right to modify specifications without prior notices

CONFIDENTIAL: This drawing is the property of EJ GROUP, Inc., and embodies confidential information, registered marks, patents, trade secret information, and/or know how that is the property of EJ GROUP, Inc. Copyright © 2015 EJ GROUP, Inc. All rights reserved

Contact

800 626 4653
ejco.com